

NAME: _____

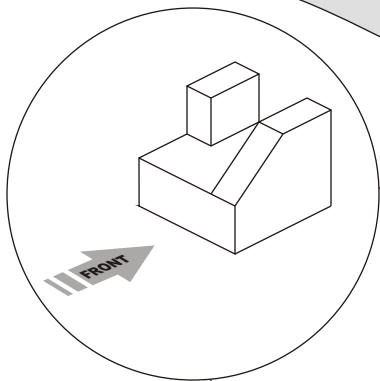
SCORE: _____

FRONT VIEWS

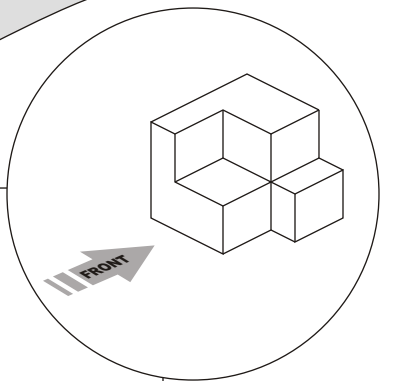
DIRECTIONS: Look at each of the Isometric Shapes and sketch the front view of each shape in the spaces provided.

This extra credit activity is worth 20 points.

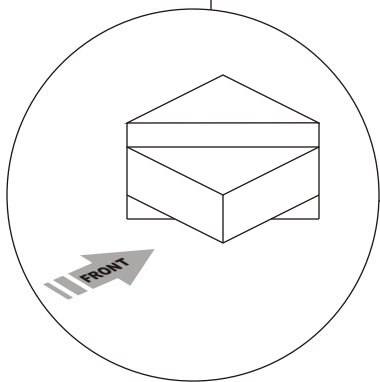
- EXTRA CREDIT - #3



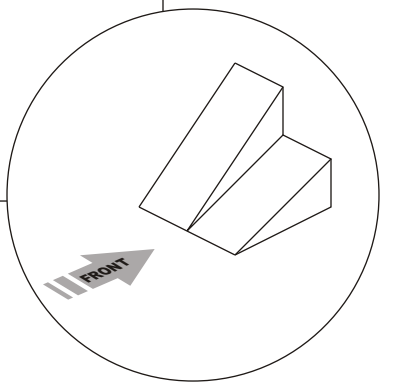
Blank space for sketching the front view of the first isometric shape.



Blank space for sketching the front view of the second isometric shape.



Blank space for sketching the front view of the third isometric shape.



Blank space for sketching the front view of the fourth isometric shape.